

228 SERIES

RK
RKA
RKV
JK
JKA

RHW
RCW
HRK
RK+F38
HYD-RK



Corpo e coperchi in alluminio pressofuso.

Coperchio posteriore con livello olio e scarico olio. Possibilità di ulteriore livello olio laterale.

Cuscinetti a rulli conici.

Bielle in lega zinco-alluminio oppure in bronzo.

Testa in ottone stampato o in ottone nichelato.

Pistoni in ceramica.

Crankcase and back cover in pressure die-cast aluminium alloy.

Back cover incorporated with oil sight glass and oil drain outlet. Possibility of further lateral oil sight glass.

Tapered roller bearings.

Connecting rods in zinc-aluminium alloy. Bronze connecting rods available.

Pump head in forged brass or nickel-plated brass.

Ceramic plungers.

228 Series

POMPA ALBERO MASCHIO Solid shaft pump



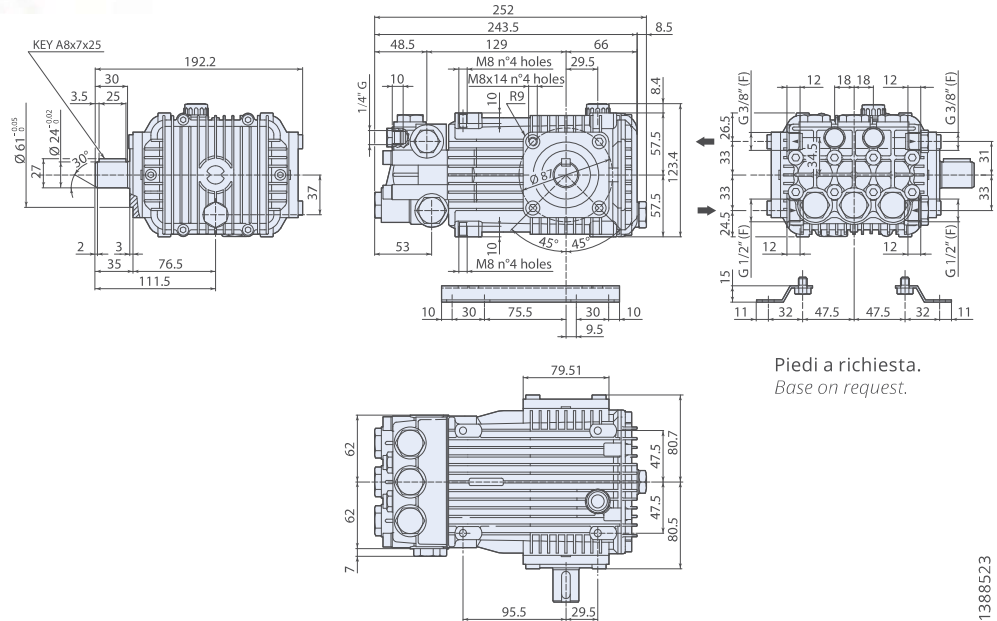
idropultrici
pressure washers
processi industriali
industrial processes
autolavaggio
car wash
agricoltura
agriculture
municipality



cantieri ed edilizia
construction industry



● Model H



Piedi a richiesta.
Base on request.

N version

MOD	COD	MAX	gpm	MAX	bar	psi	hp	kW	N° giri/1'	KG NET
RK 1450 rpm Nversion Ø24mm										
RK 11.14 N	20630	11	2,90	140	2000	4	3	1450	9	
● RK 11.20 H N	20631	11	2,90	200	2900	5,5	4	1450	9	
● RK 11.25 H N	○ 20632	11	2,90	250	3625	7,5	5,5	1450	9,5	
RK 13.17 N	20634	13	3,43	170	2500	5,5	4	1450	9	
● RK 13.20 H N	20635	13	3,43	200	2900	7,5	5,5	1450	9	
RK 14.16 N	20636	14	3,70	160	2300	5,5	4	1450	9	
RK 15.15 N	20637	15	3,96	150	2200	5,5	4	1450	9	
● RK 15.20 H N	20638	15	3,96	200	2900	7,5	5,5	1450	9	
● RK 15.25 H N	○ 20639	15	3,96	250	3625	10	7,5	1450	9,5	
● RK 15.28 H N	○ 20640	15	3,96	275	4000	11	8,2	1450	9,5	
RK 18.12 N	20641	18	4,75	120	1740	5,5	4	1450	9	
● RK 18.20 H N	○ 20643	18	4,75	200	2900	10	7,5	1450	9,5	
● RK 18.28 H N	○ 21467	18	4,75	275	4000	15	11	1450	9,5	
RK 21.10 N	20644	21	5,55	100	1450	5,5	4	1450	9	
● RK 21.15 H N	20645	21	5,55	150	2200	7,5	5,5	1450	9	
● RK 21.20 H N	○ 21129	21	5,55	200	2900	10	7,5	1450	9,5	
RK 24.10 N	23818	24	6,34	100	1450	6,3	4,7	1450	9	
● RK 24.15 H N	○ 23819	24	6,34	150	2200	9,4	7,2	1450	9,5	



● **testa nichelata**
nickel plated brass head
 ○ **bielle in bronzo**
bronze connecting-rods
 ● **testa in ottone**
brass head
 ○ **bielle in alluminio**
aluminium connecting-rods

1388523

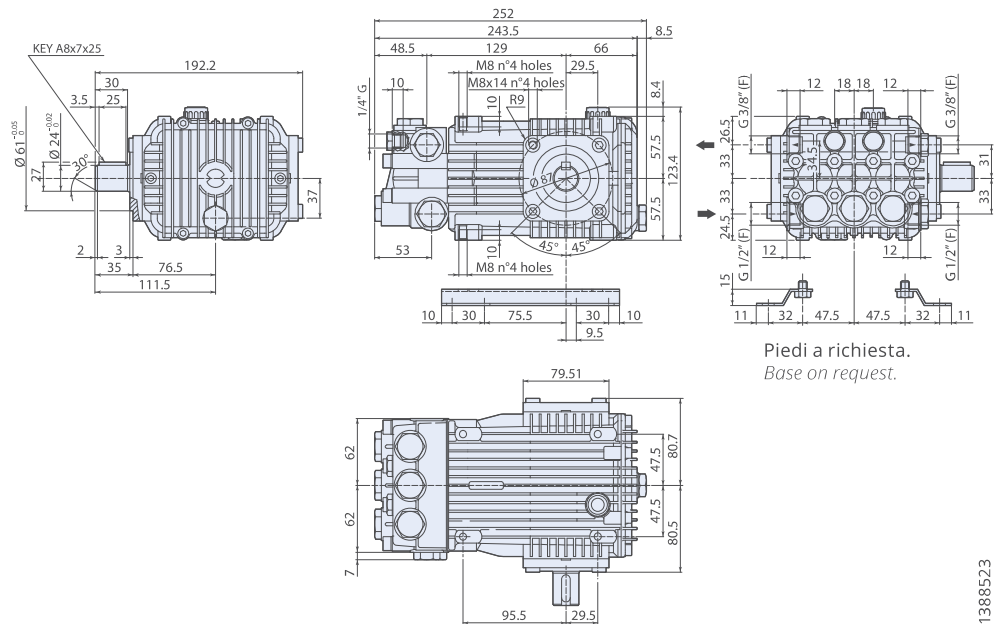


228 series

POMPA ALBERO MASCHIO Solid shaft pump






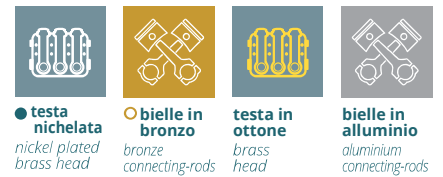
Model H



1388523

N version

MOD	COD	 MAX	 MAX	 NET						
		l/min	gpm	bar	psi	hp	kW	N° giri/1'	kg	
RKA 1750rpm Nversion Ø24mm										
RKA 3.5 G25 N	20659	13,2	3,5	170	2500	5	3,6	1750	9	
● RKA 3.5 G40 H N	○ 20661	13,2	3,5	275	4000	10	7,5	1750	9,5	
● RKA 4 G30 H N	○ 20665	15,1	4	205	3000	7,5	5,5	1750	9,5	
● RKA 4 G40 H N	○ 20667	15,1	4	275	4000	11	8,2	1750	9,5	
RKA 4.5 G17 N	20668	17	4,5	115	1700	5	3,6	1750	9	
● RKA 4.5 G30 H N	○ 20670	17	4,5	205	3000	10	7,5	1750	9,5	
● RKA 4.5 G40 H N	○ 21130	17	4,5	275	4000	12,5	9,2	1750	9,5	
RKA 5.5 G13 N	20671	20,8	5,5	90	1300	5	3,6	1750	9	
● RKA 5.5 G20 H N	20672	20,8	5,5	140	2000	7,5	5,5	1750	9	
● RKA 5.5 G30 H N	○ 21131	20,8	5,5	205	3000	11	8,2	1750	9,5	
RKA 6.5 G13 N	20674	25	6,6	90	1300	6	4,4	1750	9	
● RKA 6.5 G20 H N	○ 20675	25	6,6	140	2000	9	6,8	1750	9,5	
RKA 7 G13 N	20676	27	7,1	90	1300	6,5	4,7	1750	9	
● RKA 7 G20 H N	○ 20677	27	7,1	140	2000	10	7,5	1750	9,5	



228 Series

POMPA ALBERO CAVO Hollow shaft pump



idropultrici
pressure
washers



processi industriali
industrial
processes



autolavaggio
car wash



agricoltura
agriculture



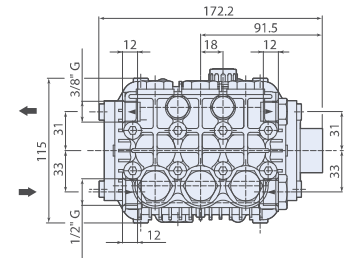
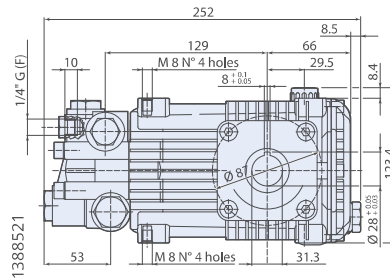
municipality



cantieri ed edilizia
construction
industry



● Model H



C version

MOD	COD	MAX		MAX				N° giri/1'	kg NET
		l/min	gpm	bar	psi	hp	kW		
RK 1450rpm Cversion Ø28mm									
● RK 11.20 H C	20647	11	2,90	200	2900	5,5	4	1450	9
RK 13.12 C	20648	13	3,43	120	1740	4	3	1450	9
RK 13.17 C	20649	13	3,43	170	2500	5,5	4	1450	9
● RK 13.20 H C	20650	13	3,43	200	2900	7,5	5,5	1450	9
RK 14.16 C	20651	14	3,70	160	2300	5,5	4	1450	9
RK 15.15 C	20652	15	3,96	150	2200	5,5	4	1450	9
● RK 15.20 H C	20653	15	3,96	200	2900	7,5	5,5	1450	9
RK 18.12 C	20654	18	4,75	120	1740	5,5	4	1450	9
● RK 18.16 H C	20655	18	4,75	160	2300	7,5	5,5	1450	9
RK 21.10 C	20656	21	5,55	100	1450	5,5	4	1450	9
● RK 21.15 H C	20657	21	5,55	150	2200	7,5	5,5	1450	9



● **testa nichelata**
nickel plated
brass head



testa in ottone
brass
head



bielle in alluminio
aluminium
connecting-rods

F16 flange for electric motor B14 100+112 IEC34-7, 4 poles 50Hz. Flange not included.
Flangia F16 per motori elettrici B14 Gr.100+112 IEC34-7, 4 poli 50Hz. Flangia non inclusa.



228 series

POMPA ALBERO CAVO Hollow shaft pump



idropultrici
pressure
washers



processi
industriali
industrial
processes



autolavaggio
car wash



agricoltura
agriculture



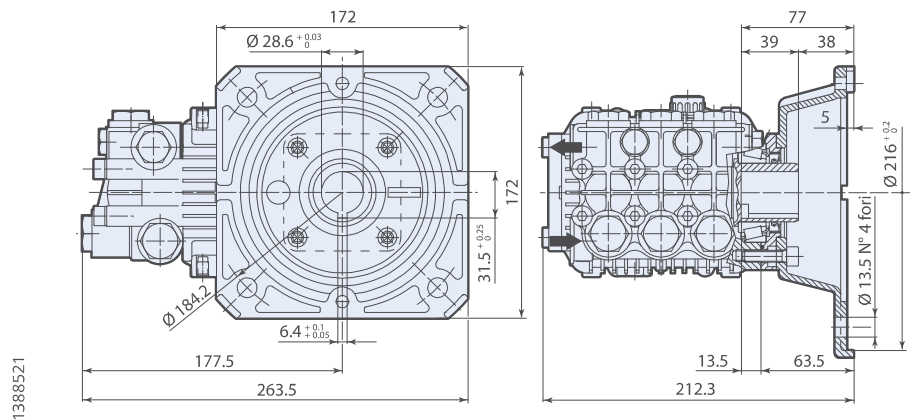
municipality



cantieri ed
edilizia
construction
industry



● Model H



Flangia F17 fornita a richiesta.
F17 flange on request.

E version

MOD	COD	MAX		MAX		N°		KG	
		l/min	gpm	bar	psi	hp	giri/1'	NET	
								kg	
RKA 1750rpm Eversion $\varnothing 1'' 1/8$									
RKA 3.5 G25 E	20678	13,2	3,5	170	2500	5	3,6	1750	9
● RKA 3.5 G30 H E	○ 20679	13,2	3,5	205	3000	7,5	5,5	1750	9,5
RKA 4 G20 E	20680	15,1	4	140	2000	5	3,6	1750	9
● RKA 4 G30 H E	○ 20681	15,1	4	205	3000	7,5	5,5	1750	9,5
RKA 5.5 G13 E	20682	20,8	5,5	90	1300	5	3,6	1750	9
RKA 6.5 G13 E	○ 20683	25	6,6	90	1300	6	4,4	1750	9
● RKA 6.5 G20 H E	○ 20684	25	6,6	140	2000	9	6,8	1750	9,5
RKA 7 G13 E	20685	27	7,1	90	1300	6,5	4,7	1750	9
● RKA 7 G20 H E	○ 20686	27	7,1	140	2000	10	7,5	1750	9,5



● testa
nichelata
nickel plated
brass head



○ bielle in
bronzo
bronze
connecting-rods



● testa in
ottone
brass
head



● bielle in
alluminio
aluminium
connecting-rods

Flangia F17 per motori elettrici NEMA 182-184,
4 poli 60Hz. Flangia non inclusa.
F17 flange for electric motor NEMA 182-184,
4 poles 60Hz. Flange not included.

228 Series

POMPA ALBERO CAVO Hollow shaft pump



Model H



idropultrici
pressure
washers



processi industriali
industrial
processes



autolavaggio
car wash



agricoltura
agriculture



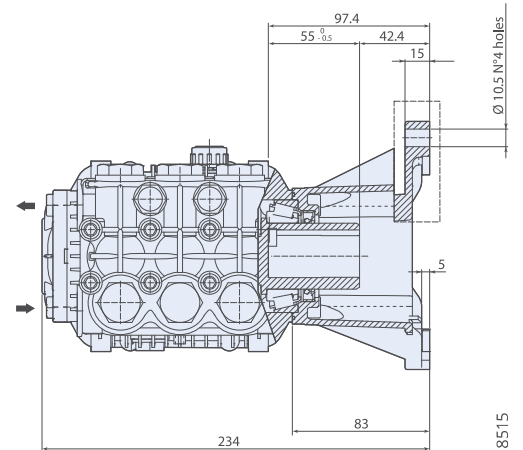
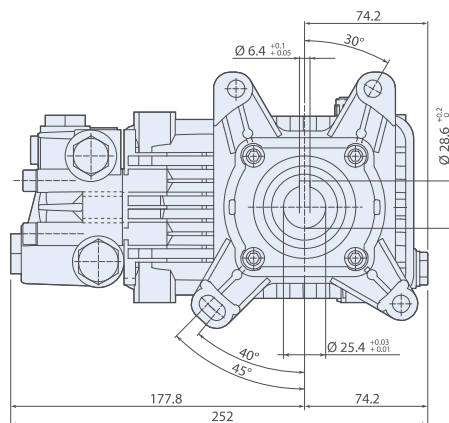
municipality



cantieri ed edilizia
construction
industry



● Model H



2288515

D version + F41

MOD	COD	MAX	MAX	MAX	MAX	MAX	MAX	MAX	NET
		l/min	gpm	bar	psi	hp	kW	N° giri/1'	kg
RKV 3400rpm Dversion + F41 Ø1"									
RKV 3.5 G25 D + F41	20693	13,2	3,5	170	2500	5	3,6	3400	10
● RKV 3.5 G30 H D + F41	○ 20694	13,2	3,5	205	3000	5	3,6	3400	10,5
● RKV 3.5 G40 H D + F41	○ 21132	13,2	3,5	275	4000	10	7,5	3400	10
RKV 4 G30 D + F41	20697	15,1	4	205	3000	7,5	5,5	3400	10,5
● RKV 4 G35 H D + F41	○ 20699	15,1	4	240	3500	7,5	5,5	3400	10,5
● RKV 4 G40 H D + F41	○ 21133	15,1	4	275	4000	11	8,2	3400	10,5
● RKV 4.5 G40 H D + F41	○ 21134	17	4,5	275	4000	12	8,7	3400	10,5
● RKV 5.5 G40 H D + F41	○ 21135	20,8	5,5	275	4000	15	11	3400	10,5



● **testa nichelata**
nickel plated
brass head



○ **bielle in bronzo**
bronze
connecting-rods



● **testa in ottone**
brass
head



○ **bielle in alluminio**
aluminium
connecting-rods

Flangia F41 per motori scoppio Ø 1" SAE J609a.
Flangia inclusa.
Flange F41 for gasoline engine Ø 1" SAE J609a.
Flange included.