

# 276 SERIES

RS  
RSS  
RSV  
HRS



Corpo in alluminio pressofuso.

Coperchio laterale chiuso.

Bielle in lega zinco- alluminio pressofuso oppure in bronzo.

Testa in ottone stampato con valvola di regolazione integrata.

Pistoni acciaio inox con copertura in ceramica.

*Crankcase in pressure die-cast aluminium alloy.*

*Closed side cover.*

*Connecting rods in die-cast zinc-aluminium alloy. Bronze connecting rods available.*

*Pump head in forged brass with integrated pressure regulating valve.*

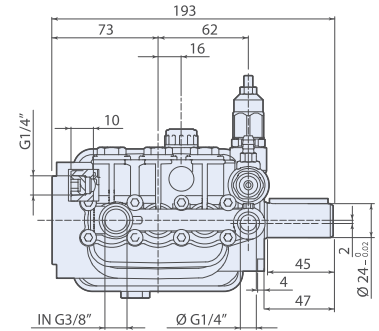
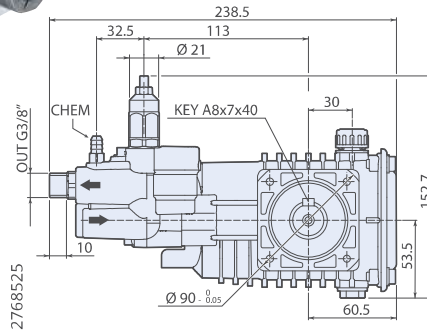
*Plungers in ceramic-coated stainless steel.*

# 276 Series

## POMPA ALBERO MASCHIO Solid shaft pump



idropultrici  
pressure  
washers



### N version

Flangiatura compatibile XT N.  
XT N flange type.

MOD	COD	MAX	MAX		NET				
		l/min	gpm	bar	psi	hp	kW	N° giri/1'	kg
<b>RS 1450rpm</b> Nversion Ø24mm									
RS 11.11 N	23084	11	2,90	110	1600	3	2,2	1450	7
RS 11.14 N	24543	11	2,90	140	2000	4	3	1450	7
RS 11.18 N	23616	11	2,90	180	2600	5,5	4	1450	7
RS 13.17 N	23160	13	3,43	170	2500	5,5	4	1450	7
RS 15.15 N	23161	15	3,96	150	2200	5,5	4	1450	7



testa in  
ottone  
brass  
head



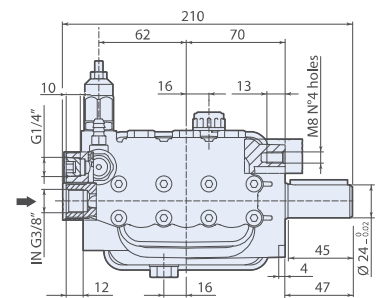
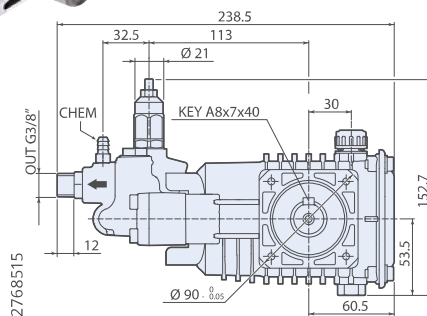
bielle in  
alluminio  
aluminium  
connecting-rods



## POMPA ALBERO MASCHIO Solid shaft pump



idropultrici  
pressure  
washers



### N version

Flangiatura compatibile XT N.  
XT N flange type.

MOD	COD	MAX	MAX		NET				
		l/min	gpm	bar	psi	hp	kW	N° giri/1'	kg
<b>RSS 2800rpm</b> Nversion Ø24mm									
RSS 11.14 N	<b>27186</b>	11	2,90	140	2000	4	3	2800	7
RSS 11.18 N	<b>25187</b>	11	2,90	180	2600	5,5	4	2800	7
RSS 13.17 N	<b>23949</b>	13	3,43	170	2500	5,5	4	2800	7
RSS 15.15 N	<b>23182</b>	15	3,96	150	2200	5,5	4	2800	7



testa in  
ottone  
brass  
head



bielle in  
alluminio  
aluminium  
connecting-rods

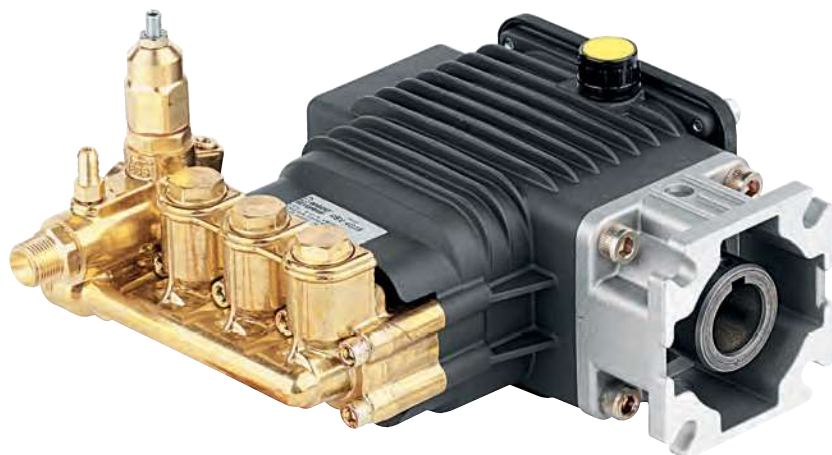


# 276 series

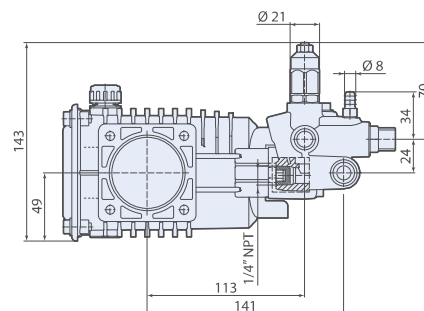
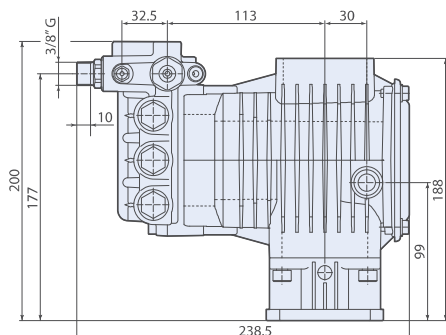
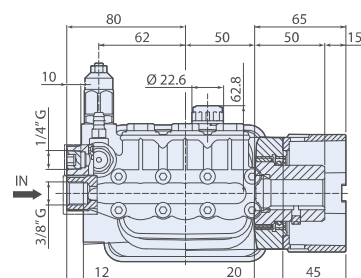
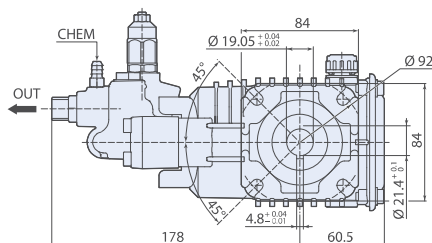
## POMPA ALBERO CAVO Hollow shaft pump



idropulitrici  
pressure  
washers



Su richiesta  
On request



2768501

## D version + F25

MOD	COD	MAX	MAX		NET				
		l/min	gpm	bar	psi	hp	kW	N° giri/1'	kg
<b>RSV 3400rpm Dversion + F25 Ø3/4"</b>									
RSV 2.5 G25 D + F25	<b>25918</b>	9,5	2,5	170	2500	4,5	3,3	3400	7
RSV 3 G25 D + F25	<b>23473</b>	11,4	3	170	2500	5	3,7	3400	7

Per motori scoppio flangia Ø3/4" SAE J609a. Flangia inclusa.  
For gasoline engine flange Ø3/4" SAE J609a. Flange included.



testa in  
ottone  
brass  
head



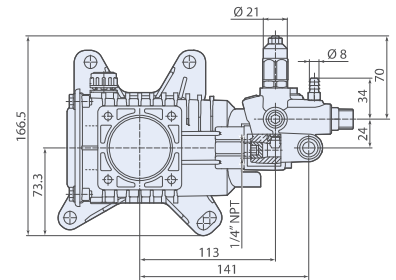
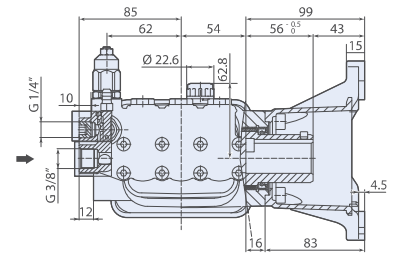
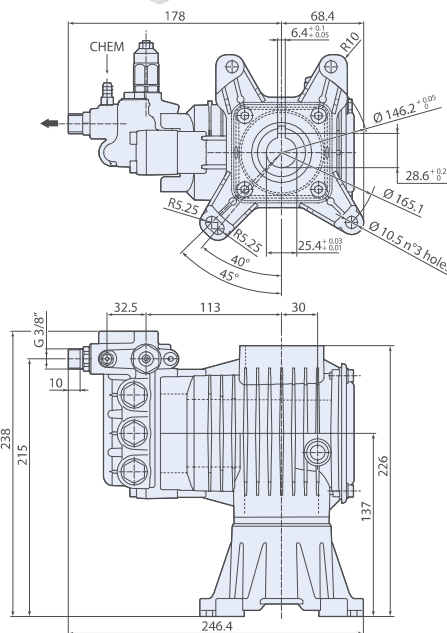
bielle in  
alluminio  
aluminium  
connecting-rod



idropulitrici  
pressure  
washers



Su richiesta  
On request



2768500

## D version + F40

MOD	COD	MAX	MAX		NET				
		l/min	gpm	bar	psi	hp	kW	N° giri/1'	kg
<b>RSV 3400rpm Dversion + F40 Ø1"</b>									
RSV 3 G30 D + F40	<b>25552</b>	11,4	3	205	3000	5,5	4	3400	7
RSV 3 G35 D + F40	<b>23856</b>	11,4	3	240	3500	7,5	5,5	3400	7,5
RSV 3.5 G35 D + F40	<b>27187</b>	13,2	3,5	240	3500	10	7,5	3400	7,5
RSV 4 G30 D + F40	<b>25795</b>	15,1	4	205	3000	7,5	5,5	3400	7
RSV 4 G35 D + F40	<b>27094</b>	15,1	4	240	3500	10	7,5	3400	7,5
RSV 4 G40 D + F40	<b>24582</b>	15,1	4	275	4000	11	8,2	3400	7,5

Per motori scoppio flangia Ø1" SAE J609a. Flangia inclusa.  
For gasoline engine flange Ø1" SAE J609a. Flange included.



testa in  
ottone  
brass  
head



bielle in  
bronzo  
bronze  
connecting-rods



bielle in  
alluminio  
aluminium  
connecting-rods

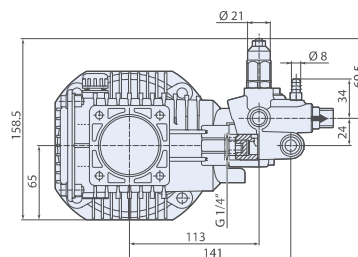
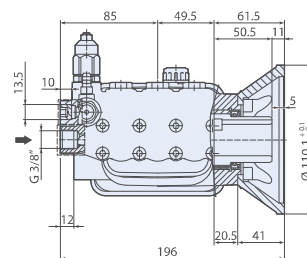
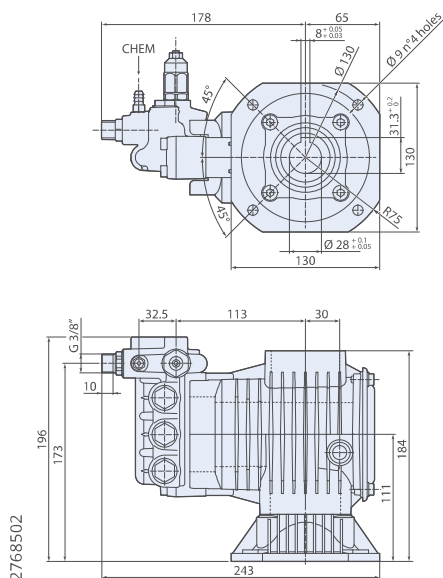


# 276 series

## POMPA ALBERO CAVO Hollow shaft pump



idropultrici  
pressure  
washers



## C version + F16

MOD	COD	MAX	MAX						
		l/min	gpm	bar	psi	hp	kW	N° giri/1'	kg
<b>RSS 2800rpm Cversion + F16 Ø28mm</b>									
RSS 11.14 C + F16	<b>27184</b>	11	2,90	140	2000	4	3	2800	7
RSS 11.18 C + F16	<b>27185</b>	11	2,90	180	2600	5,5	4	2800	7
RSS 13.17 C + F16	<b>23396</b>	13	3,43	170	2500	5,5	4	2800	7
RSS 15.15 C + F16	<b>26306</b>	15	3,96	150	2200	5,5	4	2800	7



testa in  
ottone  
brass  
head

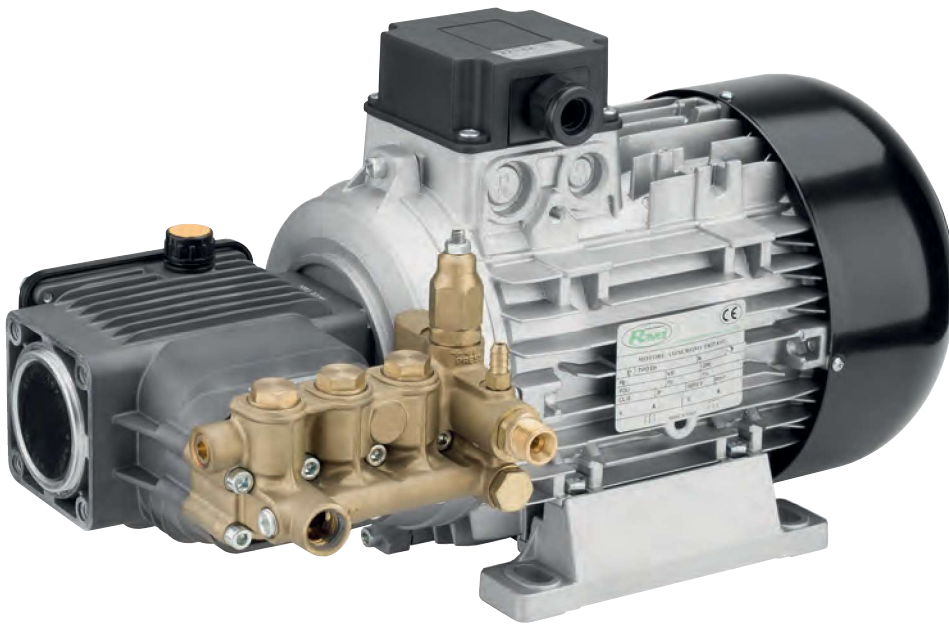


bielle in  
alluminio  
aluminium  
connecting-rods

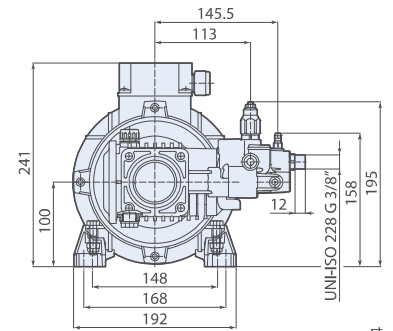
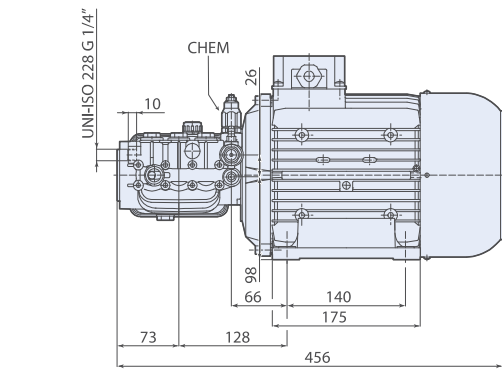
Flangia F16 per motori elettrici B14 Gr.100-112 IEC34-7, 2 poli 50Hz. Flangia inclusa.  
F16 flange for electric motor B14 100-112 IEC34-7, 2 poles 50Hz. Flange included.



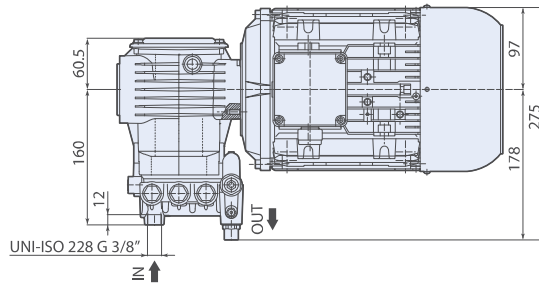
idropulitrici  
pressure  
washers



GR. 100 motor hollow shaft



2768514



MOD	COD	MAX		MAX				⚡		KG NET				
		1 ~	3 ~	l/min	gpm	bar	psi	hp	kW	N° giri/1'	V 1-50Hz	V 3-50Hz	Gr.	kg
<b>HRS 1450rpm</b>														
HRS 11.11 REG EM	<b>22117</b>	-	11	2,90	110	1600	3	2,2	1450	230	-	100	30	
HRS 11.17 REG ET	-	<b>22120</b>	11	2,90	170	2500	5	3,7	1450	-	230/400	100	30	
HRS 13.17 REG ET	-	<b>22121</b>	13	3,43	170	2500	5,5	4	1450	-	230/400	100	30	
HRS 15.15 REG ET	-	<b>22122</b>	15	3,96	150	2200	5,5	4	1450	-	230/400	100	30	



testa in  
ottone  
brass  
head



bielle in  
alluminio  
aluminium  
connecting-rods



1~50Hz  
frequenza  
motore  
motor  
frequency



3~50Hz  
frequenza  
motore  
motor  
frequency